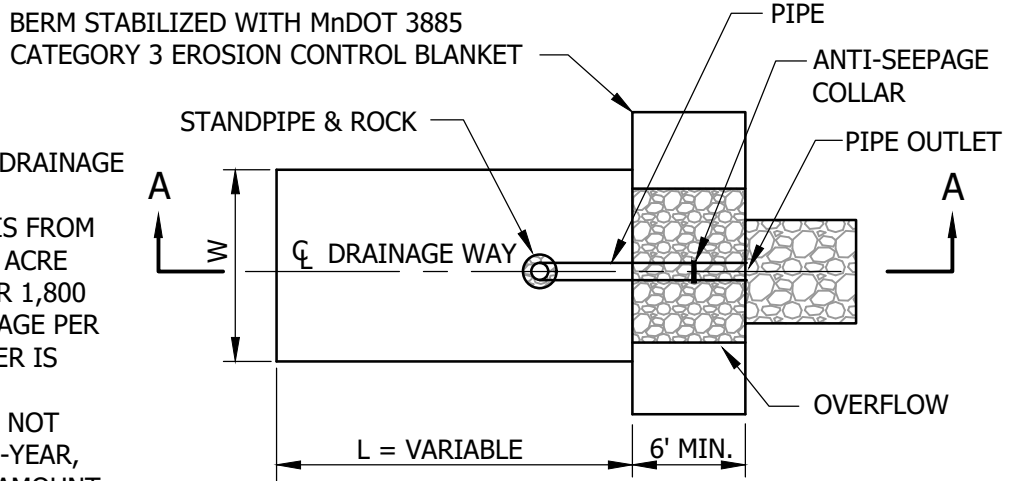
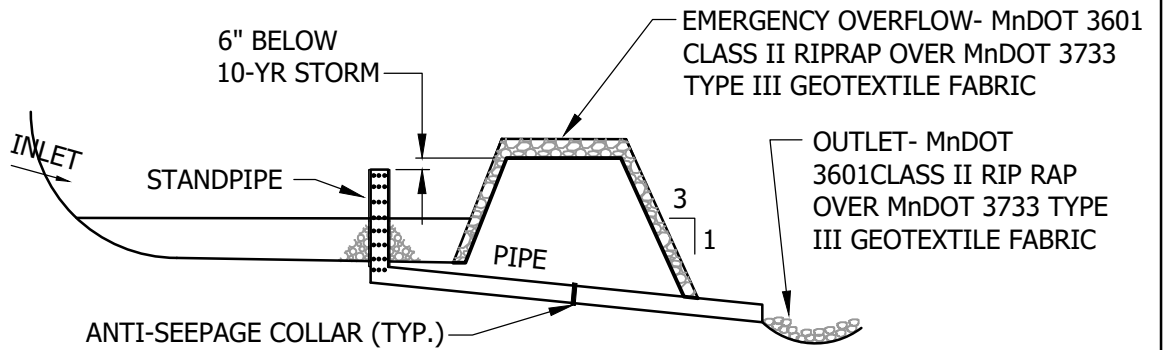


NOTES:

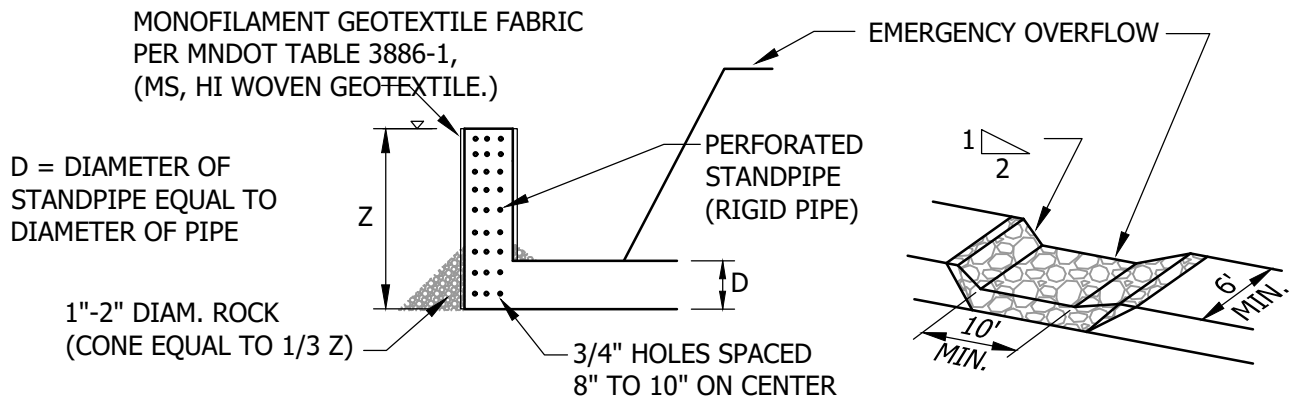
BASIN USED FOR 10 ACRE DRAINAGE AREA OR MORE.
 DESIGN RUNOFF VOLUME IS FROM A 2-YR, 24-HR STORM PER ACRE DRAINED TO THE BASIN OR 1,800 CUBIC FEET OF LIVE STORAGE PER ACRE DRAINED, WHICHEVER IS GREATER.
 WHERE PERMITTEES HAVE NOT CALCULATED THE TWO (2)-YEAR, 24-HOUR STORM RUNOFF AMOUNT, THE TEMPORARY BASIN MUST PROVIDE 3,600 CUBIC FEET OF LIVE STORAGE PER ACRE OF DRAINAGE AREA



PLAN VIEW



SECTION A-A



BASIN STANDPIPE AND EMERGENCY OVERFLOW



**TEMPORARY SEDIMENTATION BASIN
 STANDPIPE OUTLET**

LAST REVISION:
 DEC 2018

PLATE NO.
 ERO-24