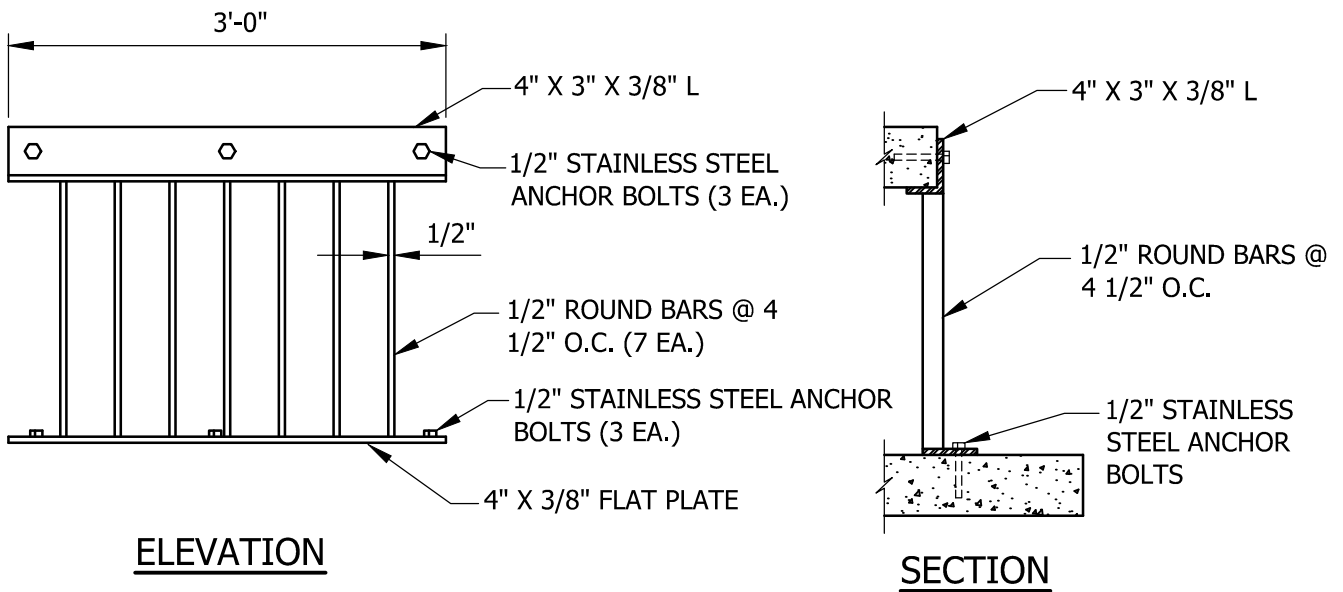


**OUTLET STRUCTURE NOTES:**

1. OUTLET STRUCTURE SHALL BE REINFORCED PRECAST CONCRETE.
2. GRATING SHALL BE HOT DIPPED GALVANIZED AFTER FABRICATION.
3. ALL ANCHOR BOLTS SHALL BE 1/2"  $\phi$  S.S. EXPANSION ANCHORS W/ 4" MIN. EMBEDMENT.
4. MAXIMUM SIZE OULET PIPE TO BE 18".



**GRATE DETAIL**



**OUTLET STRUCTURE  
(BEAVER BUSTER)**

LAST REVISION:  
APR 2009

PLATE NO.  
STO-13