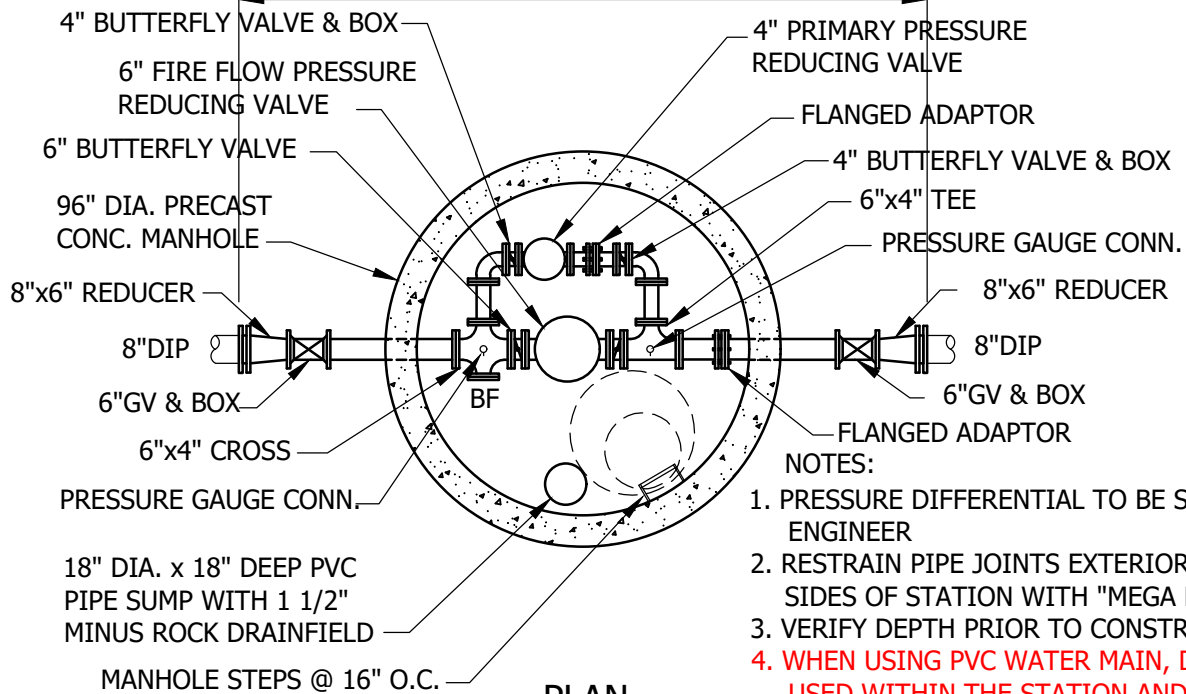
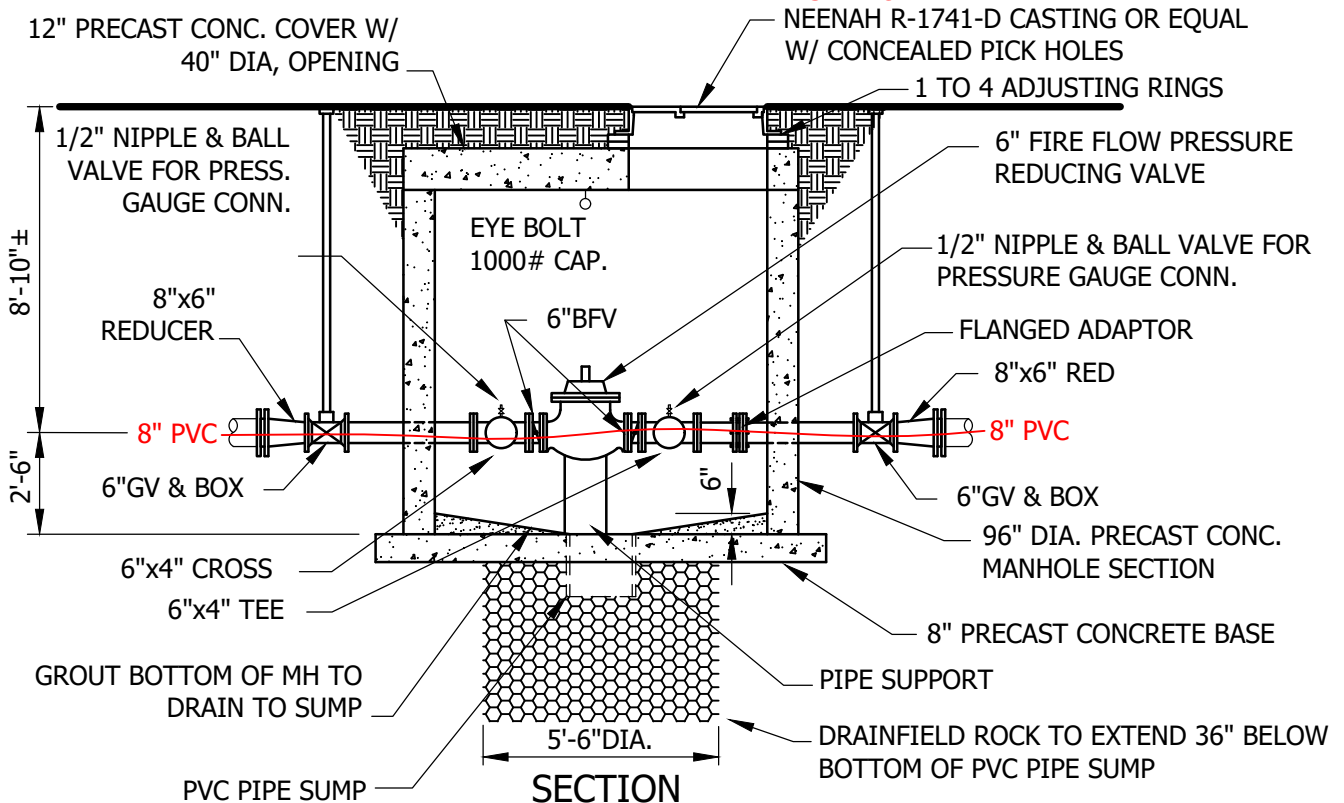


LUMP SUM PRV STATION BID



PLAN



SECTION



PRESSURE REDUCING STATION

LAST REVISION:  
 MARCH 2022

PLATE NO.  
 WAT-9R